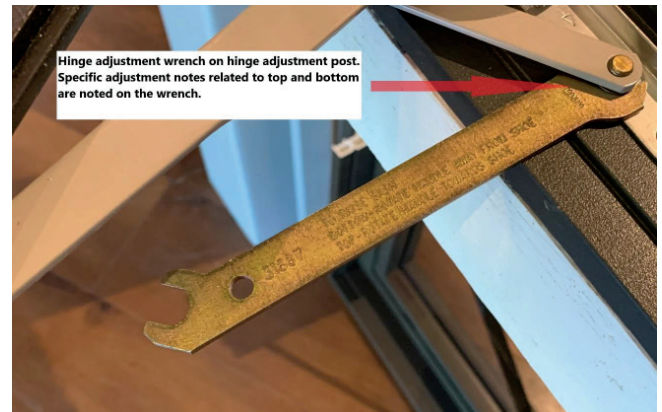


Product Adjustment Manual

4300 Series/4300 Combo/6000 Series/7000 Series Casement Windows

Hinge Adjustment

The 4300 Casement Windows have 2 different adjustments. The vent hinges can be adjusted side to side using the Truth Hardware Casement Wrench (Truth Part#31877) that was included in this Care & Maintenance Package. The vent can be moved laterally Left to Right using the wrench.



Casement Adjustment Wrench



Multipoint Lockbar Adjustment (4300 Series Casement and Combo Windows)

The multipoint lockbar is located on the jamb(s) of the Casement windows and, when selected, Awning windows. The lockbar will have anywhere from 2 to 5 locking points based on the overall height of the window. Each of these locking points have an adjustment that can be made using a TX20 Torx head bit. The cams have a notch in the side and turning to interior will tighten the seal and turning towards exterior will relax the seal



GrandView MultiSlide and 425 Patio Doors

Panel wheel adjustments

For all sliding panels, the dual wheel roller set has an adjustment range of 19mm (3/4") up and down. The panels can be adjusted by using a #3 Philips screwdriver as seen in the picture below.



Locking point adjustments:

Standard Hardware (comes standard on 425 Patio door; not available on GrandView Multislide):

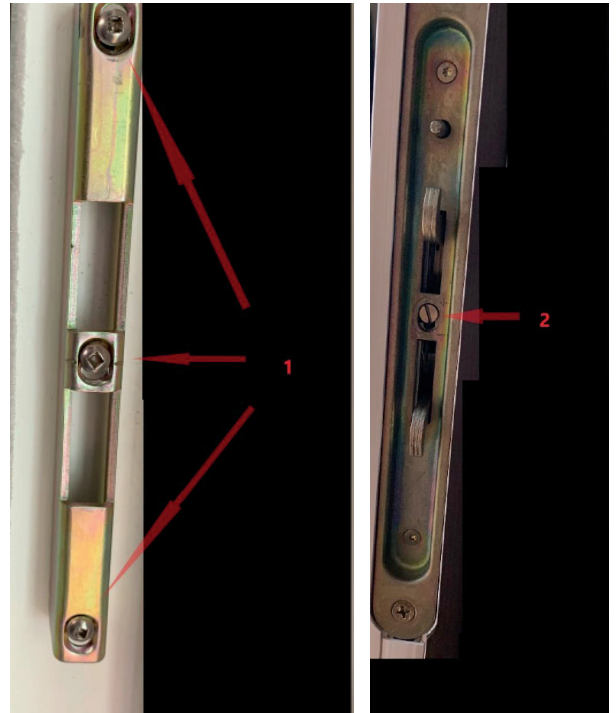
There are 2 adjustments on the mortise keeper that is located on the locking jamb of the frame.

Adjust the vertical locking plane by loosening off the screws and adjusting the keeper up and down.
Adjust the horizontal locking plane by loosening or tightening the screws to allow the back plate to move in or out



Premium Hardware (come standard on GrandView Multislide doors; upgrade option on 425 Patio door):

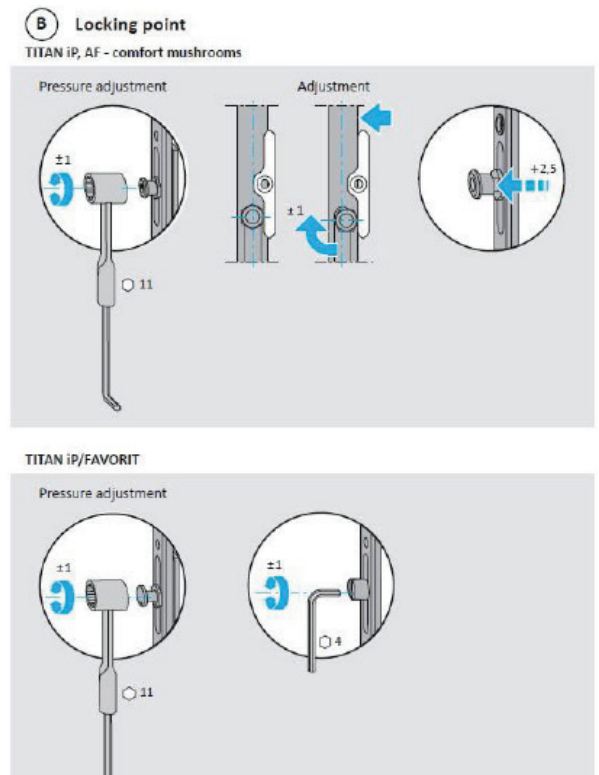
- 1) Adjust the vertical locking plane by loosening off the screws and adjusting the keeper up and down.
- 2) Adjust the horizontal locking plane by loosening or tightening the screw to adjust the throw of the locking mortise.



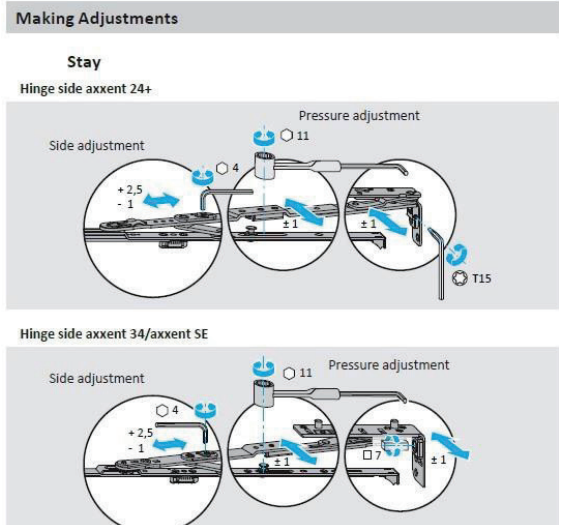
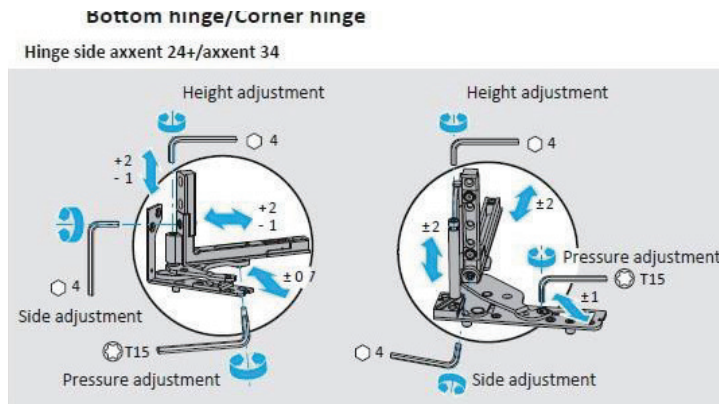
RevXL Tilt & Turn Products (Windows and Doors)

Multipoint locking system adjustments

The adjustment cams have a notch in them and when turned towards the interior of home the seal increases and turning to the exterior the seal decreases.



Vent adjustments (side to side, up and down as well as increase/decrease sealing pressure)



RevXL Swing Doors

Multipoint locking system adjustments

The adjustment cams have a notch in them and when turned towards the interior of home the seal increases and turning to the exterior the seal decreases.

Vent adjustments (side to side, up and down as well as increase/decrease sealing pressure)

The RevXL Swing Door hinges are adjusted as shown below. An 8mm Allen Key in the top of the hinge will increase/decrease the sealing pressure of the door vent. Using a 5mm Allen Key in the bottom of the hinge will raise/lower the door vent. To adjust the door vent laterally you need to slide off the hinge cover and using a 5mm Allen Key you can adjust the door vent left to right.

